

WPR-8/10 ET2 PROFESSIONAL WASHER EXTRACTORS



VERSATILITY

STANDARD <> SELF-SERVICE
ELECTRIC <> HOT WATER
VALVE <> DRAIN PUMP
SINGLE <> STACKED

Suitable for many sectors: gyms, restaurants, campings, laundromats...



FEATURES

High G Factor 450.
ET2 control with a 4,3" touch screen easy to use and fully programmable
8 dosing signals as standard
USB connection. Free software online for programming, telemetry, data analysis...
WET CLEANING as standard
Short washing cycles (heating power 6 kw)



CONNECTIVITY

Danube Online communication - IoT as standard
Remote maintenance
Management of laundry
Multi-payment system



EFFICIENCY

Optimized consumption: automatic or manual adjustment of water levels and detergents according to the load
High G factor: reduced residual moisture, reduced drying time, energy savings
Water Saving system: 3 configurable levels of savings



ROBUSTNESS

Skinplate outer casing, aluminium door
AISI-304 stainless steel drum, vat and ribs
No inner drum seal: easy to clean
Industrial house bearing and bearings: until 20 000 working hours
Industrial gear and inverter
Industrial door locking system



OTHERS

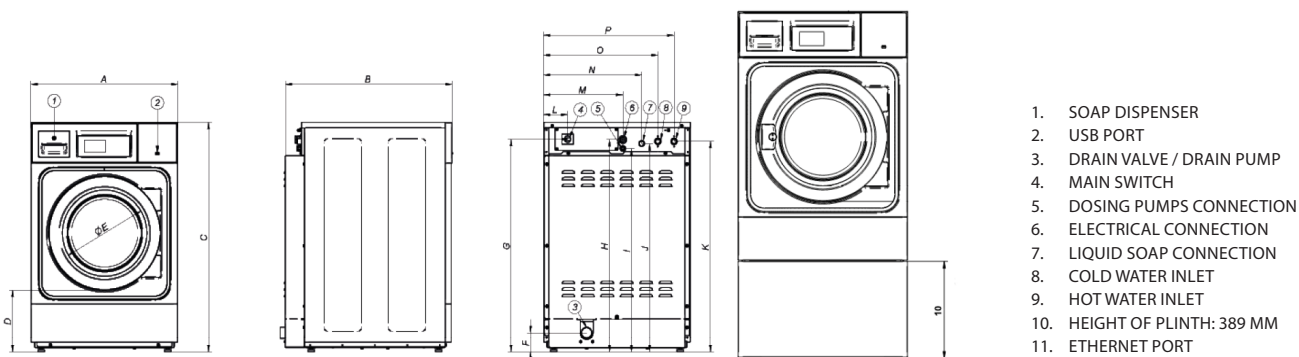
Free standing: no anchoring to the floor
2 water inlets
4 compartments detergents box
Leveling feet included
Models with drain valve or with drain pump
Imbalance controlled by frequency inverter
CE and WRAS certificates



OPTIONS

- 2 dosing pumps kit DQ-2
- Additional dosing pump DB-1
- Double drain (only models with valve)
- Transformation valve to pump kit
- Door silicon gasket
- Reversing door opening
- Tropicalized model (ET2)
- Upper detergent box
- 6 additional dosing signals
- Normally closed valve
- Ergonomic plinth for loading height
- Plinth for mops, filter included (models with valve)
- Plinth for water recovery (tank included)
- AISI-304 stainless steel outer casing
- Automatic door unlock device (in case of power failure)
- Coin kits: tokens or coins meter + box, central pay
- Other tensions

TECHNICAL DATA	UNIT.	WPR-8 ET2 V	WPR-8 ET2 P	WPR-10 ET2 V	WPR-10 ET2 P				
DRUM									
Capacity 1:9 / 1:10	Kg	9 / 8	9 / 8	11 / 10	11 / 10				
Volume	l	80	80	100	100				
Diameter	mm	532	532	532	532				
Depth	mm	360	360	425	425				
GENERAL DATA									
Washing / extraction speed	r.p.m.	50 / 1.250	50 / 1.250	45 / 1.250	40 / 1.250				
G Factor	-	450	450	450	450				
Maximum force transmitted	KN	1,47 ±0,53	1,47 ±0,53	1,57 ±0,53	1,57 ±0,53				
Frequency dynamic force	Hz	18,33	18,33	18,33	18,33				
Sound level	dB	<70	<70	<70	<70				
Self-service version	-	YES	YES	YES	YES				
Double drain	-	OPT	N/A	OPT	N/A				
Weighing system	-	N/A	N/A	N/A	N/A				
DRUM									
Height center / base door	mm	537/280	537/280	537/280	537/280				
Diameter	mm	373	373	373	373				
POWER									
Motor	kW	0,75	0,75	0,75	0,75				
Heating (electric model)	kW	6	6	6	6				
Max. electric power	kW	6,25	6,25	6,25	6,25				
Max electric power (hot water)	kW	0,75	0,75	0,75	0,75				
CONNECTIONS		ELECT.	HOT W.	ELECT.	HOT W.	ELECT.	HOT W.	ELECT.	HOT W.
Tension 230V- I + N + T	N° x mm² / A	2x6 /32A	2x1,5 /16A	2x6 /32A	2x1,5 /16A	2x6 - 32A	2x1,5 /16A	2x6 /32A	2x1,5 /16A
Tension 230V- III + T	N° x mm² / A	3x2,5 /20A	-	3x2,5 /20A	-	3x2,5 /20A	-	3x2,5 /20A	-
Tension 400V- III + N + T	N° x mm² / A	4x1,5 /16A	-	4x1,5 /16A	-	4x1,5 /16A	-	4x1,5 /16A	-
Water inlet	BSP	3/4"		3/4"		3/4"		3/4"	
Drain	BSP	2"		1" (pump)		2"		1" (pump)	
DIMENSIONS / PACKING DIMENSIONS									
Net / gross length	mm	680 / 710		680 / 710		680 / 710		680 / 710	
Net / gross depth	mm	698 / 832		698 / 832		742 / 832		742 / 832	
Net / gross height	mm	1.040 / 1.130		1.040 / 1.130		1.040 / 1.130		1.040 / 1.130	
Net / gross weight	kg	140 / 150		140 / 150		150 / 160		150 / 160	
Volume	m3	0,67		0,67		0,67		0,67	



	A	B	C	D	E	F	G	H	I	J	K	L	M	N	O	P	Q
WPR-8 V	680	698	1040	278	373	86	964	962	922	942	954	110	366	427	524	603	199
WPR-8 P	680	698	1040	278	373	86	964	962	922	942	954	110	366	427	524	603	199
WPR10 V	680	742	1040	278	373	86	964	962	922	942	954	110	366	427	524	603	199
WPR-10 P	680	742	1040	278	373	86	964	962	922	942	954	110	366	427	524	603	199

